

# ACCESSORI

Accessories



# 8

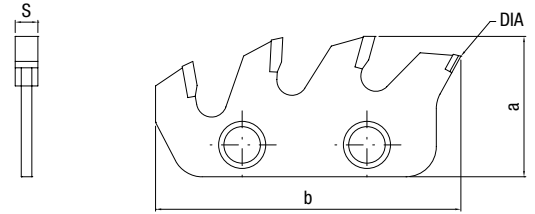


# ACCESSORI

## Accessories

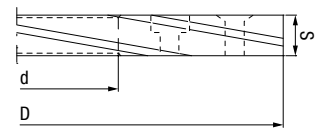
Settore intercambiabile PCD+HM per truciolatori  
Interchangeable PCD+HM segment for hogging units

COD. RH	COD. LH	a	b	S	H
0506020	0506021	38	80	4	6



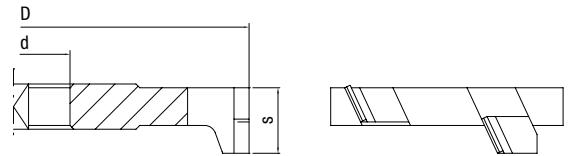
Corona per truciolatori a settori  
Crown for Hogging Units with Interch. Segments

COD. RH	COD. LH	D	S	d	Z
0507020	0507021	210	15	80	6



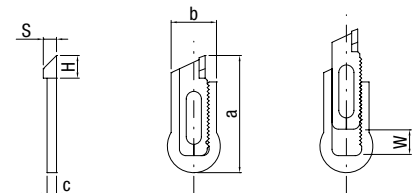
Modulo per teste antisceggia registrabili  
Module for Anti-Chipping Adjust. Tool Heads

COD. RH	COD. LH	D	S	d (dkn)	Z	H
0902020	0902021	200	17,4	40	4	5
0902022	0902023	200	17,4	40	5	5
0902024	0902025	200	17,4	40	6	5
0902026	0902027	200	17,4	40	8	5



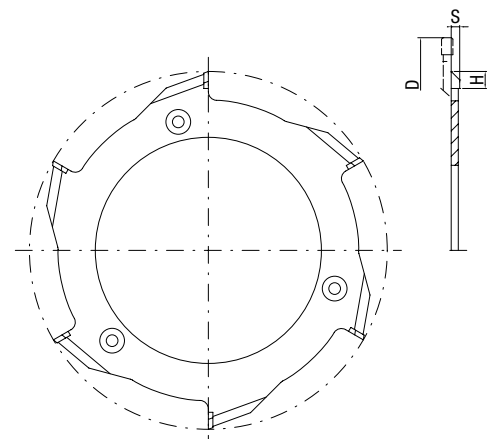
Tassello spigolatore registrabile per frese per canali  
Adjustable spur for grooving cutters

COD. RH	COD. LH	a	b	S	H	W
4100020	4100021	31	13	3,5	6	10



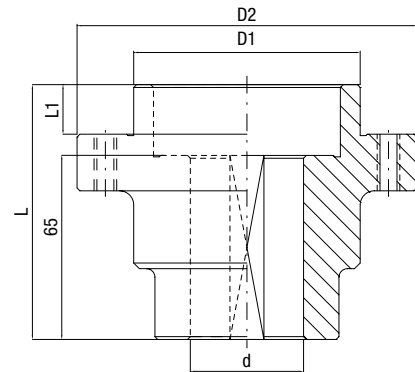
Fresa spigolatore per frese per canali  
Bevel cutter for grooving cutters

COD. RH	COD. LH	D	S	Z	H
4200020	4200021	100	3,5	4	6
4200022	4200023	100	3,5	6	6
4200024	4200025	125	3,5	4	6
4200026	4200027	125	3,5	6	6
4200028	4200029	150	3,5	4	6
4200030	4200031	150	3,5	6	6
4200032	4200033	180	3,5	4	6
4200034	4200035	180	3,5	6	6
4200036	4200037	200	3,5	4	6
4200038	4200039	200	3,5	6	6



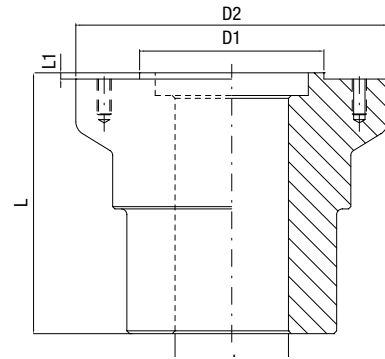
Mozzo meccanico per trucioliatore  
Mechanical sleeve for hogging units

CODE	d (DKN)	D1	D2	L	L1
4300010	35	80	120	95	17,5
4300020	40	80	120	95	17,5



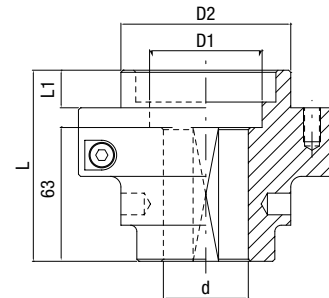
Mozzo meccanico incisori  
Mechanical sleeve for scoring saws

CODE	D1	D2	L	L1
4301010	25	65	76	2,2
4301020	25	65	110	2,2
4301030	30	65	76	2,2
4301040	30	65	110	2,2



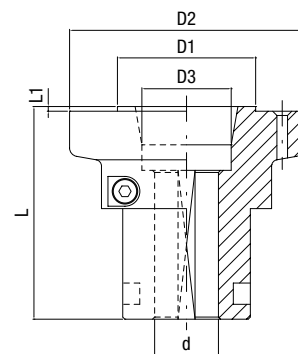
HYDRO-GRIP EI

	d (DKN)	D1	D2	L	L1
EI-35/80-90	35	48	80	90	17,7
EI-40/80-90	40	53	80	90	17,7



HYDRO-GRIP EI

CODE	d (DKN)	D1	D2	D3	L	L1
EI-30/65-100	30	65	110	42	100	2,2
EI-35/65-100	35	65	110	48	100	2,2

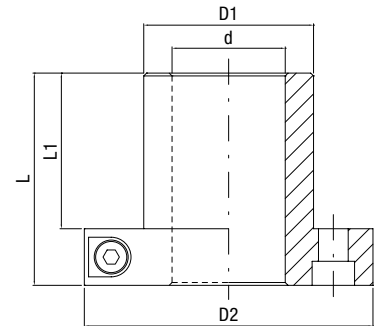


# ACCESSORI

## Accessories

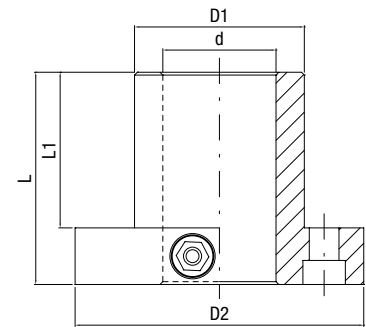
### HYDRO-GRIP CI Screw Type

CODE	d	D1	D2	L	L1
CI-40/50-75	40	50	100	75	55
CI-40/60-75	40	60	102	75	55
CI-40/60-95	40	60	108	95	75
CI-40/60-115	40	60	108	115	95
CI-40/60-140	40	60	114	140	115
CI-50/60-75	50	60	102	75	55
CI-50/60-95	50	60	108	95	75
CI-50/60-115	50	60	108	115	95
CI-50/60-140	50	60	114	140	115



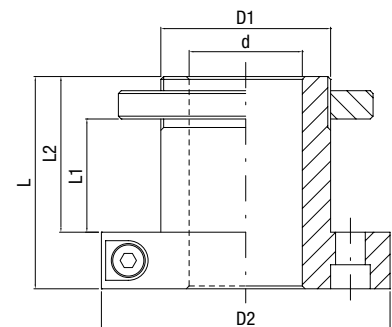
### HYDRO-GRIP C Grease Pump Type

CODE	d	D1	D2	L	L1
C-40/50-75	40	50	83	75	55
C-40/50-115	40	50	83	115	95
C-40/50-190	40	50	83	190	170
C-40/60-140	40	60	93	140	120
C-40/60-165	40	60	93	165	145
C-40/60-215	40	60	93	215	195
C50/60-140	50	60	93	140	120
C50/60-190	50	60	93	190	170
C-50/60-230	50	60	93	230	210
C-50/60-240	50	60	93	240	220



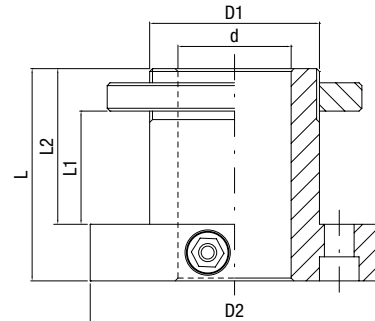
### HYDRO-GRIP BI Screw Type

CODE	d	D1	D2	L	L1	L2
BI-40/50-75	40	50	100	75	40	55
BI-40/60-75	40	60	102	75	40	55
BI-40/60-95	40	60	108	95	60	75
BI-40/60-115	40	60	108	115	80	95
BI-40/60-140	40	60	114	140	100	115
BI-50/60-75	50	60	102	75	40	55
BI-50/60-95	50	60	108	95	60	75
BI-50/60-115	50	60	108	115	80	95
BI-50/60-140	50	60	114	140	100	115



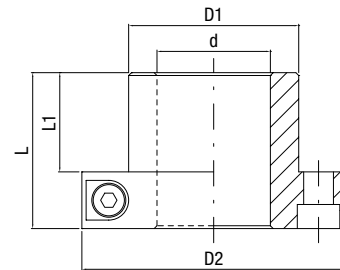
## HYDRO-GRIP B Grease Pump Type

CODE	d	D1	D2	L	L1	L2
B-40/50-75	40	50	83	75	40	55
B-40/50-115	40	50	83	115	80	95
B40/50-190	40	50	83	190	155	170
B-40/60-75	40	60	93	75	40	55
B-40/60-95	40	60	93	95	60	75
B-40/60-115	40	60	93	115	80	95
B-40/60-140	40	60	93	140	105	120
B-40/60-165	40	60	93	165	130	145
B-40/60-215	40	60	93	215	180	195
B-50/60-75	50	60	93	75	40	55
B-50/60-95	50	60	93	95	60	75
B-50/60-115	50	60	93	115	80	95
B-50/60-140	50	60	93	140	105	120
B-50/60-190	50	60	93	190	155	170
B-50/60-230	50	60	93	230	195	210
B-50/60-240	50	60	93	240	205	220



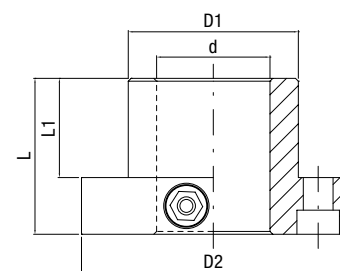
## HYDRO-GRIP AI Screw Type

CODE	d	D1	D2	L	L1
AI-40/50-55	40	50	83	55	35
AI-40/60-55	40	60	93	55	35
AI-50/60-55	50	60	93	55	35
AI-40/60-75	40	60	93	75	55
AI-50/60-75	50	60	93	75	55



## HYDRO-GRIP A Grease Pump Type

CODE	d	D1	D2	L	L1
A-40/60-55	40	60	93	55	35
A-50/60-55	50	60	93	55	35
A-40/60-75	40	60	93	75	55
A-50/60-75	50	60	93	75	55
A-60/70-55	60	70	105	55	35
A-60/70-75	60	70	105	75	55

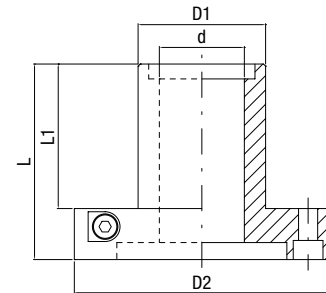


# ACCESSORI

## Accessories

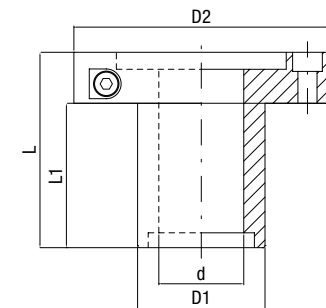
### HYDRO-GRIP EI Screw Type with Exagon

CODE	d	D1	D2	L	L1
EI-40/60-92	40	60	120	68	92



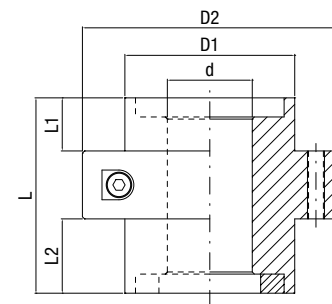
### HYDRO-GRIP EIS Screw Type with Exagon

CODE	d	D1	D2	L	L1
EIS-40/60-92	40	60	120	68	92



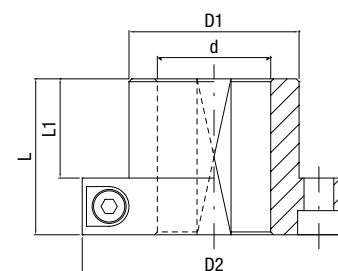
### HYDRO-GRIP EI Screw Type with Exagon

CODE	d	D1	D2	L1	L2	L
EI-40/80-92	40	80	120	25	35	92



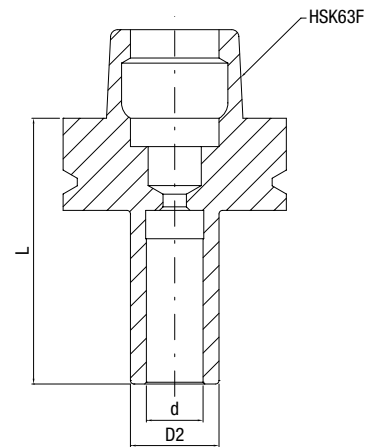
### HYDRO-GRIP AEI Screw Type

CODE	d (DKN)	D1	D2	L	L1
AEI-30/60-55	30	60	93	55	35
AEI-30/60-70	30	60	93	70	50
AEI-35/60-55	35	60	93	55	35
AEI-35/60-70	35	60	93	70	50
AEI-40/60-55	40	60	93	55	35
AEI-40/60-70	40	60	93	70	50



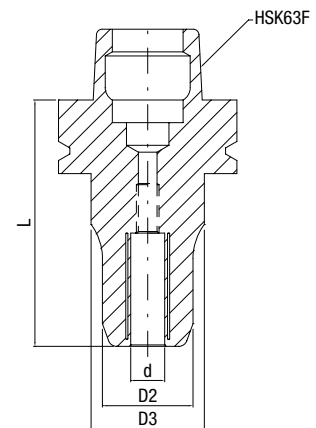
### Mandrino Tribos · Tribos Tool-Holder

CODE	d	D2	D3
5103010	12	19	75
5103020	16	25	75
5103030	20	30	75
5103040	25	35	75



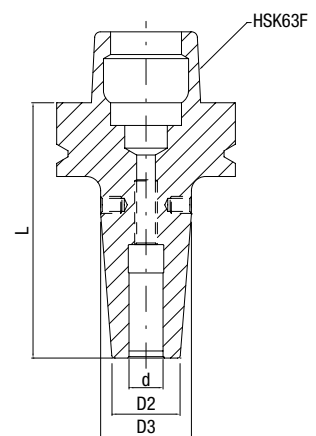
### Mandrino idraulico · Hydraulic Tool-Holder

CODE	d	D2	D3	L
5100010	12	32	40	87
5100020	16	38	40	87
5100030	20	40	50	99
5100040	25	45	50	103



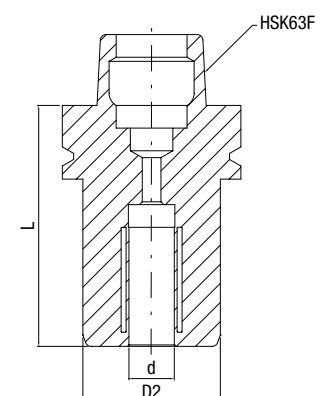
### Mandrino a calettamento termico · Shrink-Fit Tool-Holder

CODE	d	D2	D3	L
5101010	6	21	27	80
5101020	8	21	27	80
5101030	10	24	32	85
5101040	12	24	32	90
5101050	14	27	31	90
5101060	16	27	34	95
5101070	20	33	42	100
5101080	25	44	53	115



### Mandrino a forte serraggio · Hard Chuck Tool-Holder

CODE	d	D2	L
5102010	20	50	85
5102020	25	50	85





# ACCESSORI

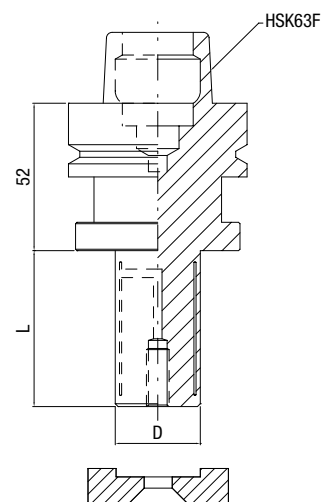
## Accessories

Pinze per mandrino a forte serraggio e idraulico  
Collets for Hard Chuck Tool-Holder and Hydraulic

CODE	D1	D2	L
5300010	3	20	50,5
5300020	4	20	50,5
5300030	5	20	50,5
5300040	6	20	50,5
5300050	7	20	50,5
5300060	8	20	50,5
5300070	9	20	50,5
5300080	10	20	50,5
5300090	11	20	50,5
5300100	12	20	50,5
5300110	13	20	50,5
5300120	14	20	50,5
5300130	15	20	50,5
5300140	16	20	50,5
5300150	17	20	50,5
5301010	6	25	56,5
5301020	8	25	56,5
5301030	10	25	56,5
5301040	12	25	56,5
5301050	14	25	56,5
5301060	16	25	56,5
5301070	18	25	56,5
5301080	20	25	56,5

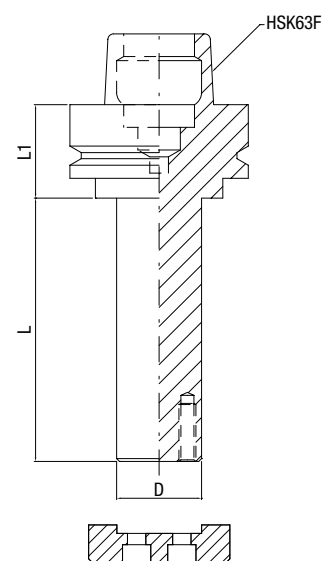
## HYDRO-GRIP GE

CODE	D	L
GE-20x40/HSK 63F	20	40
GE-20x55/HSK 63F	20	55
GE-25x40/HSK 63F	25	40
GE-25x55/HSK 63F	25	55
GE-30x40/HSK 63F	30	40
GE-30x55/HSK 63F	30	55
GE-30x80/HSK 63F	30	80
GE-30x100/HSK 63F	30	100



## Alberi portautensili · Tool-Holder Sleeves

CODE	D	L	L1
5200010	30	93	33
5200020	30	93	42
5200030	30	103	33
5200040	30	103	42
5200050	30	123	33
5200060	30	123	42
5200070	30	203	33
5200080	30	203	42
5201010	35	93	33
5201020	35	93	42
5201030	35	103	33
5201040	35	103	42
5201050	35	123	33
5201060	35	123	42
5201070	35	203	33
5201080	35	203	42
5202010	40	93	33
5202020	40	93	42
5202030	40	103	33
5202040	40	103	42
5202050	40	123	33
5202060	40	123	42
5202070	40	203	33
5202080	40	203	42

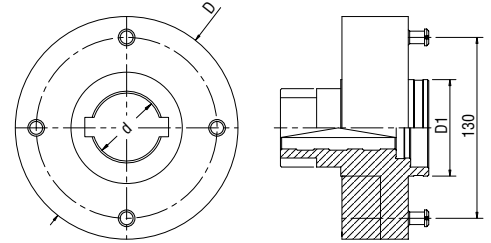


# ACCESSORI

## Accessories

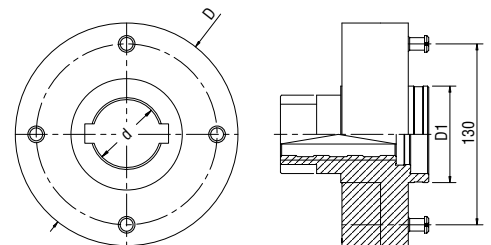
### FixAir 160

	D1	D	d (dkn)
<b>4900010</b>	60	160	35
<b>4900020</b>	60	160	40



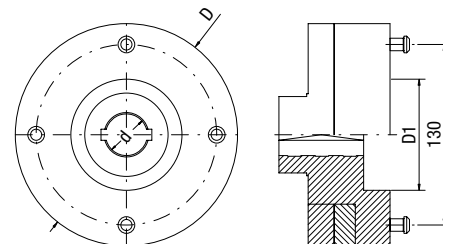
### FixAir 160 Hydro

CODE	D1	D	d (dkn)
<b>4901010</b>	60	160	35
<b>4901020</b>	60	160	40



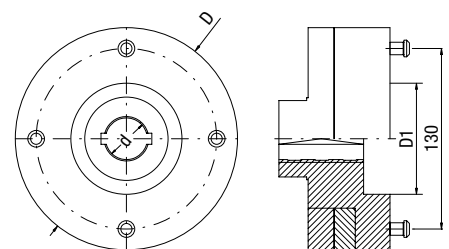
### FixAir 161

CODE	D1	d2	D	d (dkn)
<b>4902010</b>	60	80	160	35
<b>4902020</b>	60	80	160	40



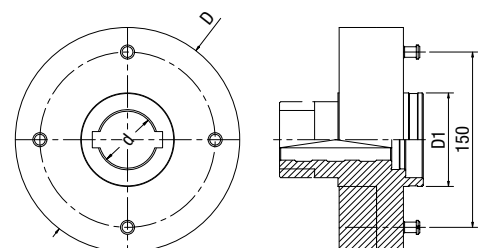
### FixAir 161 Hydro

CODE	D1	d2	D	d (dkn)
	60	80	160	35
	60	80	160	40



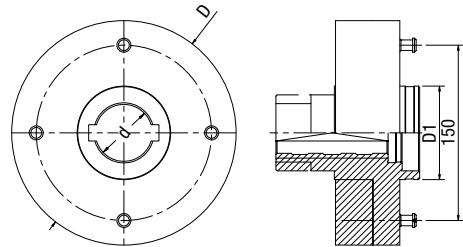
### FixAir 192

CODE	D1	D	d (dkn)
<b>4904010</b>	80	192	35
<b>4904020</b>	80	192	40



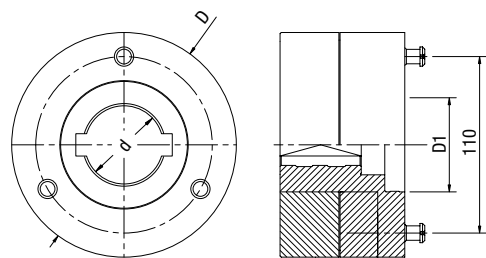
### FixAir 192 HYDRO

CODE	D1	D	d (dkn)
4905010	80	192	35
4905020	80	192	40



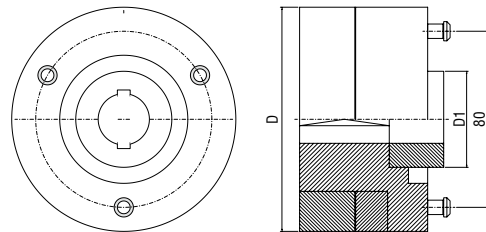
### FixAir 140

CODE	D1	D	d (dkn)
4906010	60	140	30
4906020	60	140	35
4906030	60	140	40



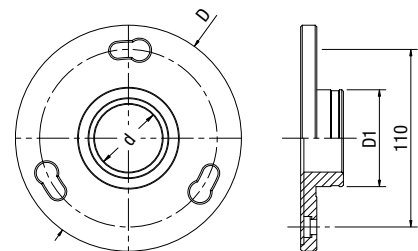
### FixAir 110

CODE	D1	D	d (dkn)
4907010	50	110	25
4907020	50	110	30
4907030	50	110	35



### Flangia porta incisore per FixAir 140 Scoring-Saw holder for FixAir 140

CODE	D1	D
5000010	60	140



### Flangia porta incisore per FixAir 110 Scoring-Saw holder for FixAir 110

CODE	D1	D
5001010	50	110

